



COMPARISON

MACHINERY FOR SHALLOW WATER DREDGING

Shallow water dredging has traditionally been divided between excavators for the more shallow and narrow parts and conventional cutter suction dredgers for deeper and wider areas.

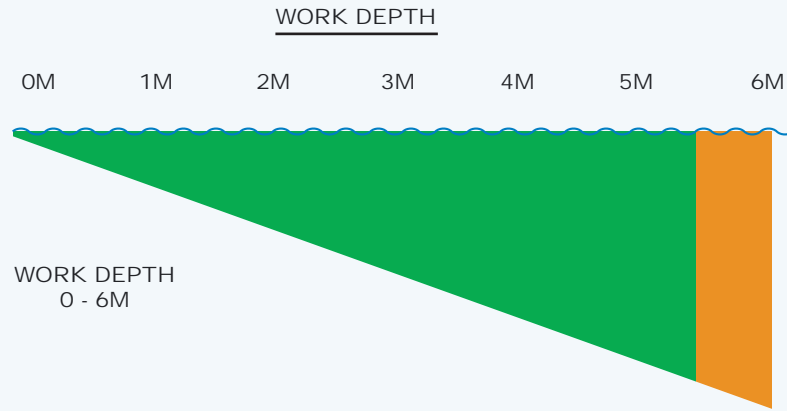
The Watermaster Amphibious Multipurpose Dredger single-handedly covers all shallow water dredging from dry ground up to the depth of 6 meters. Watermaster is specifically designed and certified for both water work and for working from the land side.

Suction dredging, excavating, raking and pile-driving
- all applications cost-effectively
with one versatile machine.



COMPARISON
MACHINERY FOR SHALLOW WATER DREDGING

WATERMASTER



VERSATILITY

SUCTION DREDGING
EXCAVATING
PILE-DRIVING
RAKING
+ other

WATER SAFETY

FULLY
CERTIFIED
DREDGING
VESSEL

MOBILITY

FULLY
AMPHIBIOUS
self-propelled

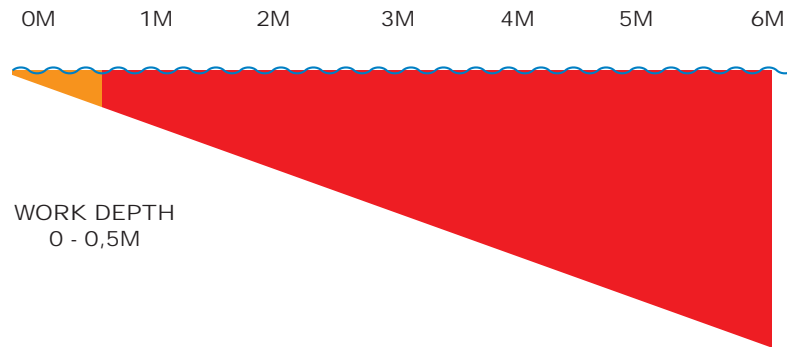
ROAD TRANSPORT AND SETUP

AS A
COMPLETE
UNIT
self-launching,
no crane required

PRIMARY USE

DREDGING IN
SHALLOW WATERS,
FROM DRY GROUND
TO 6M DEPTH

LONG REACH EXCAVATOR



EXCAVATING
+ other

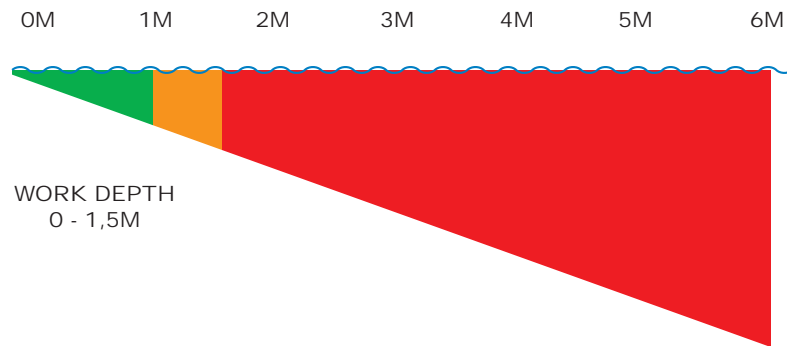
NOT A
CERTIFIED
DREDGING
VESSEL

MOBILE ONLY
ON LAND

AS A
COMPLETE
UNIT

EXCAVATING
ON DRY GROUND

FLOATING EXCAVATOR



EXCAVATING
+ other

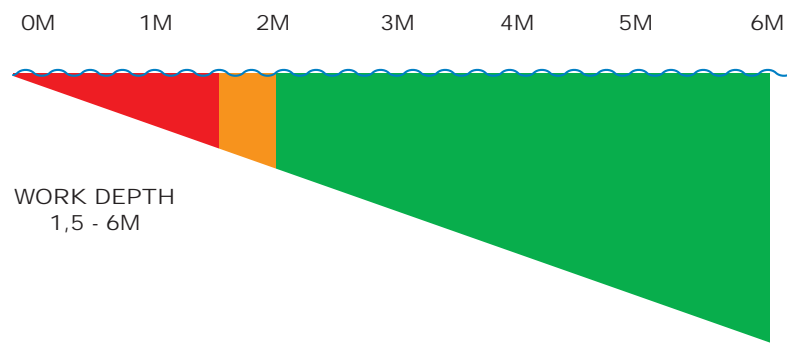
NOT A
CERTIFIED
DREDGING
VESSEL

LIMITED
MOBILITY AND
SAFETY
IN WATER
not stable in
water deeper
than 1,5M

DEPENDS ON
THE MODEL
assembly on site
and crane
assistance
often required

EXCAVATING IN
WETLAND AREAS,
WATER DEPTHS
0M - 1M

EXCAVATOR ON A BARGE



EXCAVATING
+ other

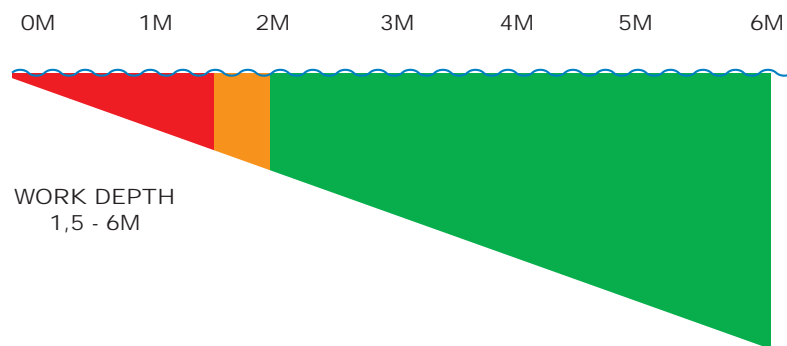
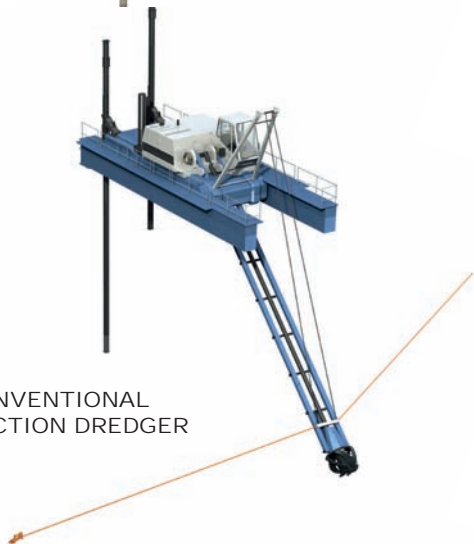
NOT A
CERTIFIED
DREDGING
VESSEL

MOBILE ONLY
IN OPEN
WATER
not suitable
for depth
0 - 1,5M

IN
PIECES
assembly on site
and crane
assistance
required

EXCAVATING IN
WATER DEPTHS
2M AND DEEPER

CONVENTIONAL SUCTION DREDGER



SUCTION DREDGING

FULLY
CERTIFIED
DREDGING
VESSEL

MOBILE ONLY
IN OPEN
WATER
not suitable
for depth
0 - 1,5M

IN
PIECES
assembly on site
and crane
assistance
required

SUCTION DREDGING
IN WATER DEPTHS
2M AND DEEPER

WATERMASTER COVERS THE WHOLE SHALLOW WATER AREA FROM 0 TO 6 METERS DEPTH

WORK DEPTH

Watermaster can independently move, anchor and work in the whole shallow water area from dry ground to 6 meters depth. Traditionally same work area requires many machines and assisting units.



WATERMASTER IS A MULTIPURPOSE DREDGER

VERSATILITY

Watermaster excels in suction dredging, excavating, pile-driving and raking. Watermaster's work efficiency and anchoring stability is in a class of its own thanks to the smart Watermaster operating system (IWOS).



WATERMASTER IS FULLY AMPHIBIOUS

MOBILITY

Watermaster is a fully amphibious vessel that does not only float, but truly masters the water. It is self-propelled and can travel considerable distances in water to reach the work site (max. speed 4 knots). On dry ground Watermaster has the ability to walk. Watermaster is stable, safe and tested.



WATERMASTER IS SPECIFICALLY DESIGNED AND CERTIFIED FOR SHALLOW WATER WORK

WATER SAFETY

Watermaster is fully capable and certified for working safely both in water and from land side. Watermaster is a vessel, approved by Bureau Veritas. Each Watermaster is inspected by a maritime authority.

